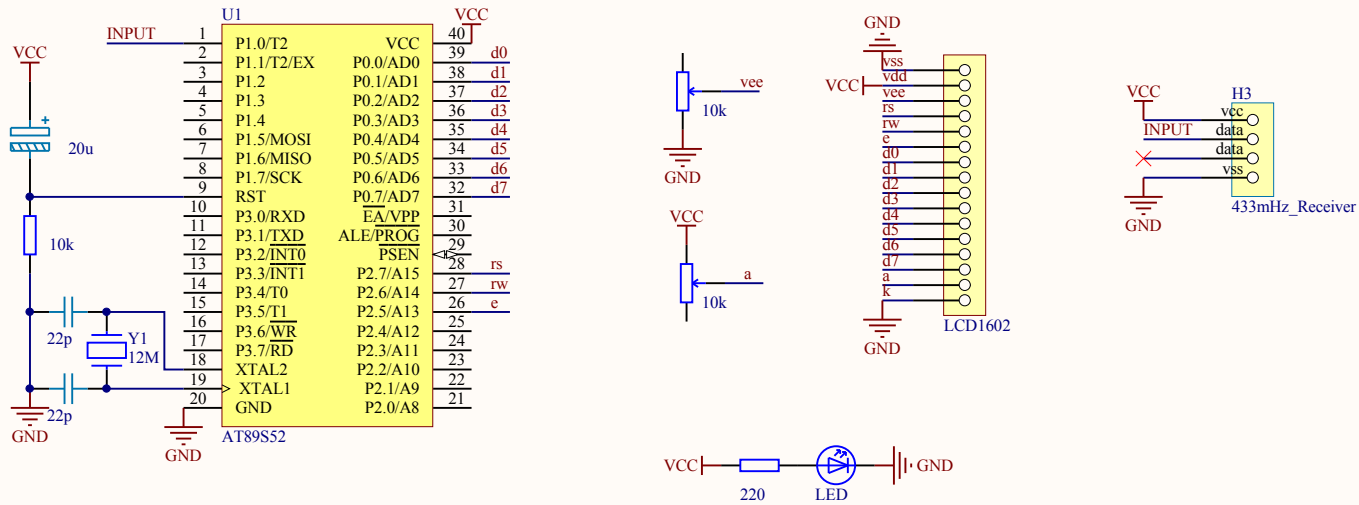
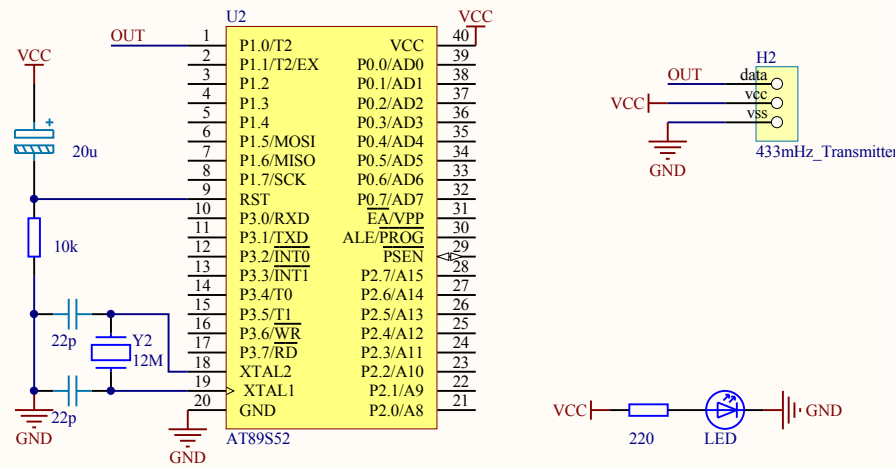


# Receiver



# Transmitter



Title			
Size	Number	Revision	
A4			
Date:	2012-8-31	Sheet of	
File:	E:\ \C51_433MHz_SCH.SchDoc	Drawn By:	